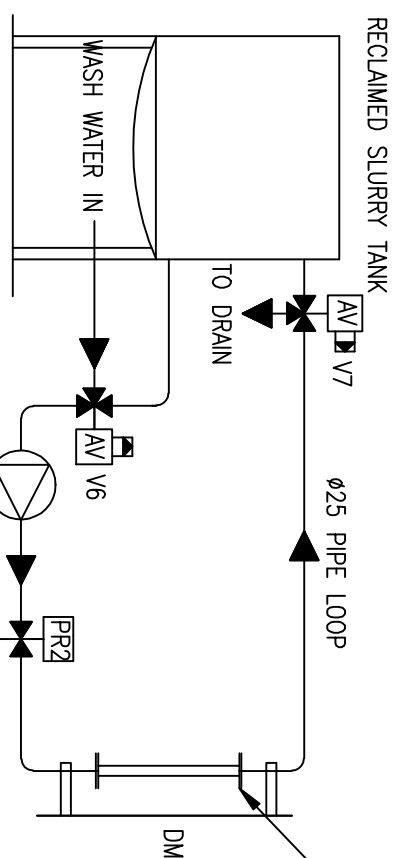


- VALVE SCHEDULE**
- V1: 80 NB DIAPHRAGM VALVE
 - V2: 40 NB T PORT VALVE WITH PNEUMATIC ACTUATOR, LIMIT BOX AND SOLENOID (110 VAC)
 - V3: 40 NB L PORT VALVE WITH PNEUMATIC ACTUATOR, LIMIT BOX AND SOLENOID (110 VAC)
 - V4: 40 NB T PORT VALVE WITH PNEUMATIC ACTUATOR, LIMIT BOX AND SOLENOID (110 VAC)
 - V5: SUPPLIED WITH DOSING TANK ASSEMBLY
 - V6: 25 NB T PORT VALVE WITH PNEUMATIC ACTUATOR, LIMIT BOX AND SOLENOID (110 VAC)
 - V7: 25 NB T PORT VALVE WITH PNEUMATIC ACTUATOR, LIMIT BOX AND SOLENOID (110 VAC)
 - V8: 40 NB BALL VALVE OPEN/CLOSE WITH PNEUMATIC ACTUATOR, LIMIT BOX AND SOLENOID (110 VAC)
 - V9: 63 NB DIAPHRAGM VALVE
 - V10: 80 NB BALL VALVE (DRAIN)
 - V11: 80 NB BALL VALVE
 - V12: 25 NB BALL VALVE SAMPLE VALVE
 - V13: 80 NB BALL VALVE
 - V14: 25 NB BALL VALVE SAMPLE VALVE
 - PR1: 50 NB PRESSURE RELIEF VALVE
 - PR2: 25 NB PRESSURE RELIEF VALVE
 - PR3: 40 NB PRESSURE RELIEF VALVE



LIQUID DENSITY MONITOR
FLANGE DETAIL:
1" ANSI 300 RF

FIXED PIPE SUPPORTS

A		B	
MOD BY	DATE	MOD BY	DATE
MJD	DEC 2011	MJD	JULY 2014
FIRST ISSUE		FIRST ISSUE	

ISSUING DEPT. _____

CHLORIDE
Technical and Trading Ltd

Chloride Industrial Estate
Rake Lane, Clifton, Swinton
Manchester M27 8LT
England

TITLE:
CHLORIDE TECHNICAL & TRADING LTD
SLURRY RECLAIM SYSTEM
P & ID SCHEMATIC DRAWING

SCALE: DRAWN: IN: 1:1000
NTS: CHECKED: IN: DIMM

DATE: JULY 2014

DRG. No. _____

CTT PR 001 A

ALL DIMENSIONS IN MILLIMETRES
MACHINING LIMIT, WHERE NOT SPECIFIED TO BE
+0.4mm ON ALL MACHINED DIMENSIONS

COPYRIGHT © 2003
This drawing remains the property of Chloride Technical & Trading Ltd and must not be copied or issued to third parties without the written consent of Chloride Technical & Trading Ltd